

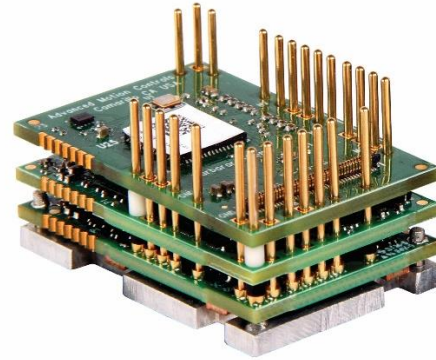
FE060-25-EM

FlexPro® Series

Product Status: Active

SPECIFICATIONS

| | |
|-----------------------|--------------------|
| Current Peak | 50 A |
| Current Continuous | 25 A |
| DC Supply Voltage | 10 – 55 VDC |
| Network Communication | EtherCAT |



The **FE060-25-EM** is a FlexPro® series servo drive with IMPACT™ architecture.

The **FE060-25-EM** offers full tuning control of all servo loops and is designed to drive brushed and brushless servo motors, and closed loop stepper motors. The drive accepts a variety of external command signals, or can use the built-in Motion Engine, an internal motion controller used with Sequencing and Indexing commands. Programmable digital and analog I/O are included to enhance interfacing with external controllers and devices.

The **FE060-25-EM** features an EtherCAT® interface for network communication using CANopen over EtherCAT (CoE) and USB connectivity for drive configuration and setup. All drive and motor parameters are stored in non-volatile memory.

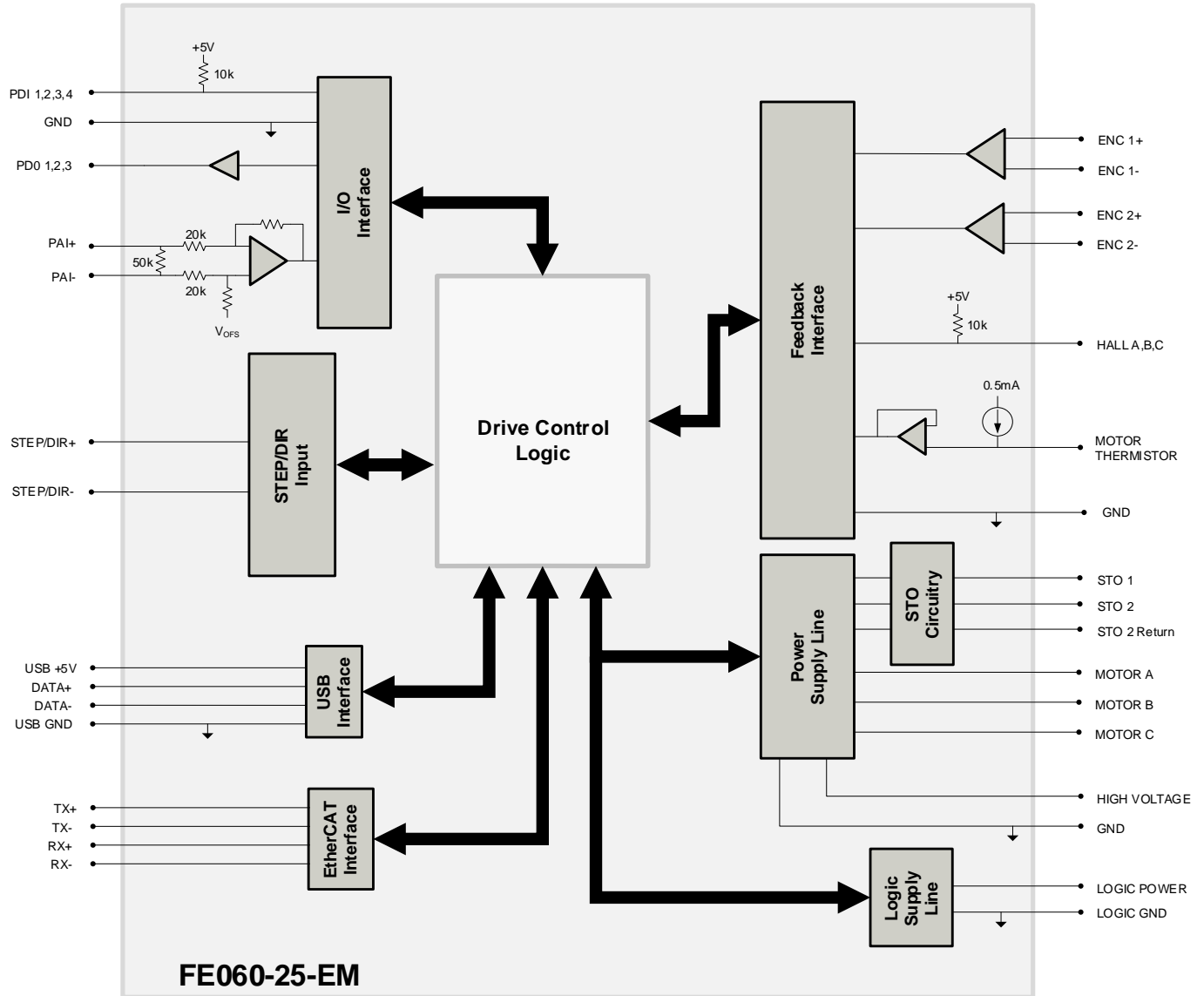
IMPACT™ (Integrated Motion Platform And Control Technology) combines exceptional processing capability and high-current components to create powerful, compact, feature-loaded servo solutions. IMPACT™ is used in all FlexPro® drives and is available in custom products as well.

FEATURES

- CoE – Based on DSP-402 Device Profile for Drives and Motion Control
- Synchronization using Distributed Clocks
- Position Cycle Times down to 100µs
- Four Quadrant Regenerative Operation
- Programmable Gain Settings
- PIDF Velocity Loop
- Compact Size, High Power Density
- On-the-Fly Mode Switching
- On-the-Fly Gain Set Switching
- Dedicated Safe Torque Off (STO) Inputs
- Space Vector Modulation (SVM) Technology

| | | | | | |
|---------------------------|---|-------------------------|--|---------------------------|---|
| Feedback Supported | <ul style="list-style-type: none"> • Absolute Encoder <ul style="list-style-type: none"> ○ BiSS C-Mode ○ EnDat 2.2 • Incremental Encoder • Hall Sensors • Aux Incremental Encoder • Tachometer (±10V) | Motors Supported | <ul style="list-style-type: none"> • Three Phase • Single Phase • Stepper | Modes of Operation | <ul style="list-style-type: none"> • Profile Modes • Cyclic Synchronous Modes • Current • Velocity • Position |
| Command Sources | <ul style="list-style-type: none"> • Over the Network • ±10V Analog • Sequencing • Indexing • Jogging • Step & Direction • Encoder Following | Inputs / Outputs | <ul style="list-style-type: none"> • 4 Programmable Digital Inputs • 3 Programmable Digital Outputs • 1 Programmable Analog Input | Agency Approvals | <ul style="list-style-type: none"> • RoHS • UL/cUL • CE Class A (LVD) • CE Class A (EMC) • TUV Rheinland (STO) (Pending) |

BLOCK DIAGRAM



INFORMATION ON APPROVALS AND COMPLIANCES



US and Canadian safety compliance with UL/IEC 61800-5-1, the industrial standard for adjustable speed electrical power drive systems. UL registered under file number E140173. Note that machine components compliant with UL are considered UL registered as opposed to UL listed as would be the case for commercial products.



Compliant with European EMC Directive 2014/30/EU on Electromagnetic Compatibility (specifically EN 61000-6-4:2007/A1:2011 for Emissions, Class A and EN 61000-6-2:2005 for Immunity, Performance Criteria A). LVD requirements of Directive 2014/35/EU (specifically, EN 60204-1:2019, a Low Voltage Directive to protect users from electrical shock).



The RoHS Directive restricts the use of certain substances including lead, mercury, cadmium, hexavalent chromium and halogenated flame retardants PBB and PBDE in electronic equipment.

SPECIFICATIONS

| Description | Electrical Specifications | | Value |
|---|---------------------------|--|-------|
| | Units | | |
| Nominal DC Supply Input Range | VDC | 12 – 48 | |
| DC Supply Input Range | VDC | 10 – 55 | |
| DC Supply Undervoltage | VDC | 8 | |
| DC Supply Overvoltage | VDC | 58 | |
| Logic Supply Input Range (optional) | VDC | 10 – 55 | |
| Safe Torque Off Voltage (Default) | VDC | 5 | |
| Minimum Required External Bus Capacitance | µF | 500 | |
| Maximum Peak Current Output ¹ | A (Arms) | 50 (35.3) | |
| Maximum Continuous Current Output ² | A (Arms) | 25 (25) | |
| Efficiency at Rated Power | % | 99 | |
| Maximum Continuous Output Power | W | 1361 | |
| Maximum Power Dissipation at Rated Power | W | 14 | |
| Minimum Load Inductance (line-to-line) ³ | µH | 150 (@ 48VDC supply); 75 (@24VDC supply); 40 (@12VDC supply) | |
| Switching Frequency | kHz | 20 | |
| Maximum Output PWM Duty Cycle | % | 83 | |

| Description | Control Specifications | | Value |
|---------------------------------------|------------------------|---|-------|
| | Units | | |
| Communication Interfaces ⁴ | - | EtherCAT® (USB for configuration) | |
| Command Sources | - | ±10 V Analog, Over the Network, Sequencing, Indexing, Jogging, Step & Direction, Encoder Following | |
| Feedback Supported | - | Absolute Encoder (BiSS C-Mode, EnDat 2.2), Hall Sensors, Incremental Encoder, Auxiliary Incremental Encoder, Tachometer (±10V) | |
| Commutation Methods | - | Sinusoidal, Trapezoidal | |
| Modes of Operation | - | Profile Modes, Cyclic Synchronous Modes, Current, Velocity, Position | |
| Motors Supported ⁵ | - | Three Phase (Brushless Servo), Single Phase (Brushed Servo, Voice Coil, Inductive Load), Stepper (2- or 3-Phase Closed Loop) | |
| Hardware Protection | - | 40+ Configurable Functions, Over Current, Over Temperature (Drive & Motor), Over Voltage, Short Circuit (Phase-Phase & Phase-Ground), Under Voltage | |
| Programmable Digital Inputs/Outputs | - | 4/3 | |
| Programmable Analog Inputs/Outputs | - | 1/0 | |
| Primary I/O Logic Level | - | 5 VDC, not isolated | |
| Current Loop Sample Time | µs | 50 | |
| Velocity Loop Sample Time | µs | 100 | |
| Position Loop Sample Time | µs | 100 | |
| Maximum Encoder Frequency | MHz | 20 (5 pre-quadrature) | |

| Description | Mechanical Specifications | | Value |
|--|---------------------------|---|-------|
| | Units | | |
| Size (H x W x D) | mm (in) | 38.1 x 25.4 x 16.0 (1.50 x 1.00 x 0.61) | |
| Weight | g (oz) | 22.7 (0.8) | |
| Ambient Operating Temperature Range ⁶ | °C (°F) | 0 – 65 (32 – 149) | |
| Storage Temperature Range | °C (°F) | -40 – 85 (-40 – 185) | |
| Relative Humidity | - | 0-95%, non-condensing | |
| Form Factor | - | PCB Mounted | |
| P1 SIGNAL CONNECTOR* | - | 80-pin 0.4mm spaced connector | |
| TERMINAL PINS | - | 26x Terminal Pins | |

Notes

1. Capable of supplying drive rated peak current for 2 seconds with 5 second foldback to continuous value. Longer times are possible with lower current limits.
2. Continuous A_{rms} value attainable when RMS Charge-Based Limiting is used.
3. Lower inductance is acceptable for bus voltages well below maximum. Use external inductance to meet requirements.
4. EtherCAT® is a registered trademark and patented technology, licensed by Beckhoff Automation GmbH, Germany.
5. Maximum motor speed for stepper motors is 600 RPM. Consult the hardware installation manual for 2-phase stepper wiring configuration.
6. Additional cooling and/or heatsink may be required to achieve rated performance. Repeated over temperature events may cause damage to the drive due to the drive's high power density. Ensure that proper thermal management is adhered to during drive operation.

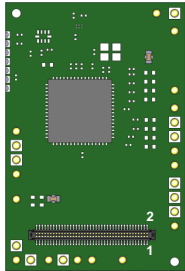
***Mating Connector Kit**

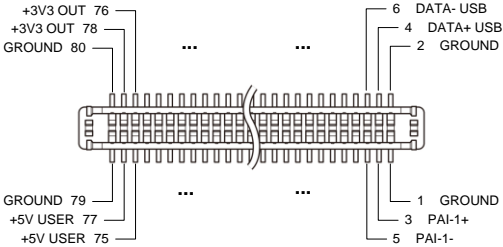
Surface mount board connector for P1 and board spacers can be ordered as a kit using ADVANCED Motion Controls' part number **KC-MC1XFE01**.

PIN FUNCTIONS

| P1 – Signal Connector | | | |
|-----------------------|------------------|--|-----|
| Pin | Name | Description / Notes | I/O |
| 1 | GROUND | Ground | GND |
| 3 | PAI-1+ | Differential Programmable Analog Input or Reference Signal Input (12-bit Resolution) | I |
| 5 | PAI-1- | | I |
| 7 | THERMISTOR | Motor Thermal Protection. | I |
| 9 | GROUND | Ground | GND |
| 11 | ENC 1 DATA+ / A+ | Differential Data Line for Absolute Encoders (BiSS: SLO+/-) or Differential Incremental Encoder A. | I/O |
| 13 | ENC 1 DATA- / A- | | I/O |
| 15 | ENC 1 CLK+ / B+ | Differential Clock Line for Absolute Encoders (BiSS: MA+/-) or Differential Incremental Encoder B. | I/O |
| 17 | ENC 1 CLK- / B- | | I/O |
| 19 | GROUND | Ground | GND |
| 21 | ENC 1 REF+ / I+ | Differential Reference Mark for Absolute Encoders (Leave open for BiSS) or Differential Incremental Encoder Index. | I |
| 23 | ENC 1 REF- / I- | | I |
| 25 | RESERVED | Reserved. Do not connect. | - |
| 27 | RESERVED | Reserved. Do not connect. | - |
| 29 | RESERVED | Reserved. Do not connect. | - |
| 31 | PDI-1 | Programmable Digital Input | I |
| 33 | PDI-2 | Programmable Digital Input | I |
| 35 | PDI-3 | Programmable Digital Input | I |
| 37 | PDI-4 | Programmable Digital Input | I |
| 39 | GROUND | Ground | GND |
| 41 | TX- IN | Transmit Line IN (100 Base TX) | I |
| 43 | TX+ IN | | I |
| 45 | RX- IN | Receive Line IN (100 Base TX) | I |
| 47 | RX+ IN | | I |
| 49 | +3V BIAS IN | +3V Supply for Transformer/Magnetics Bias | O |
| 51 | LINK/ACT IN | Link and Activity Indicator for IN port. Function based on protocol specification. See Hardware Information below. | I/O |
| 53 | STATUS | Run State Indicator for Network. Function based on protocol specification. See Hardware Information below. | I/O |
| 55 | RESERVED | Reserved. Do not connect. | - |
| 57 | RESERVED | Reserved. Do not connect. | - |
| 59 | GROUND | Ground | GND |
| 61 | RESERVED | Reserved. Do not connect. | - |
| 63 | RESERVED | Reserved. Do not connect. | - |
| 65 | RESERVED | Reserved. Do not connect. | - |
| 67 | RESERVED | Reserved. Do not connect. | - |
| 69 | RESERVED | Reserved. Do not connect. | - |
| 71 | RESERVED | Reserved. Do not connect. | - |
| 73 | +5V_OUT | +5VDC unprotected supply (See Note 1) | O |
| 75 | +5V_USER | +5VDC User Supply for feedback and local logic (See Note 1) | O |
| 77 | +5V_USER | | O |
| 79 | GROUND | Ground | GND |

| P1 – Signal Connector | | | |
|-----------------------|--------------|--|-----|
| Pin | Name | Description / Notes | I/O |
| 2 | GROUND | Ground | GND |
| 4 | DATA+ USB | USB Data Channel | I/O |
| 6 | DATA- USB | | I/O |
| 8 | GROUND | Ground | GND |
| 10 | SCLA | I ² C Data Signals for Addressing, Network Error LED, and Bridge Status LED. See Hardware Manual for more info. | O |
| 12 | SDAA | | I/O |
| 14 | HALL A | | I |
| 16 | HALL B | Single-ended Commutation Sensor Inputs | I |
| 18 | HALL C | | I |
| 20 | GROUND | Ground | GND |
| 22 | ENC 2 A+ | Differential Incremental Encoder A. | I |
| 24 | ENC 2 A- | | I |
| 26 | ENC 2 B+ | Differential Incremental Encoder B. | I |
| 28 | ENC 2 B- | | I |
| 30 | ENC 2 I+ | Differential Incremental Encoder Index. | I |
| 32 | ENC 2 I- | | I |
| 34 | PDO-1 | Programmable Digital Output (TTL/8mA) | O |
| 36 | PDO-2 | Programmable Digital Output (TTL/8mA) | O |
| 38 | PDO-3 | Programmable Digital Output (TTL/8mA) | O |
| 40 | GROUND | Ground | GND |
| 42 | TX- OUT | Transmit Line OUT (100 Base TX) | O |
| 44 | TX+ OUT | | O |
| 46 | RX- OUT | Receive Line OUT (100 Base TX) | O |
| 48 | RX+ OUT | | O |
| 50 | +3V BIAS OUT | +3V Supply for Transformer/Magnetics Bias | O |
| 52 | LINK/ACT OUT | Link and Activity Indicator for OUT port. Function based on protocol specification. See Hardware Information below. | I/O |
| 54 | RESERVED | Reserved. Do not connect. | - |
| 56 | RESERVED | Reserved. Do not connect. | - |
| 58 | RESERVED | Reserved. Do not connect. | - |
| 60 | GROUND | Ground | GND |
| 62 | RESERVED | Reserved. Do not connect. | - |
| 64 | RESERVED | Reserved. Do not connect. | - |
| 66 | RESERVED | Reserved. Do not connect. | - |
| 68 | STEP | Step Input. | I |
| 70 | DIR | Direction Input. | I |
| 72 | RESERVED | Reserved. Do not connect. | - |
| 74 | RESERVED | Reserved. Do not connect. | - |
| 76 | +3V3 OUT | +3.3VDC Supply Output for local logic signals (100 mA max) | O |
| 78 | +3V3 OUT | | O |
| 80 | GROUND | Ground | GND |

| | | |
|---|--------------------------------|---|
| Connector Information | 80-pin, 0.4mm spaced connector |  |
| Mating Connector Details | PANASONIC: P/N AXT380224 | |
| Mating Connector Included with Drive | No | |

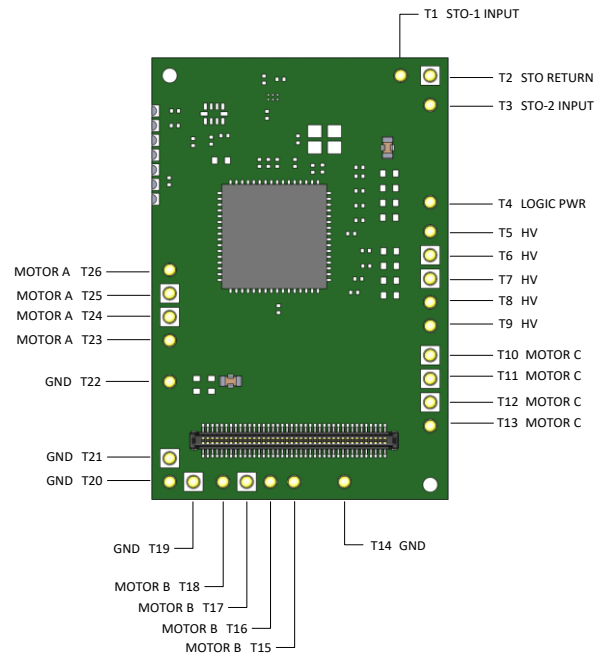


Notes

- Total current through pins P1-73/75/77 should not exceed 300mA, while no single pin should be loaded more than 150mA.

TERMINAL PIN LOCATIONS

The 26 Terminal Pins provide connection to the high power drive signals. Terminal Pins must be soldered to an interface board.



| Pin | Name | Description / Notes | I/O |
|-----|-------------|---|--------|
| T1 | STO-1 INPUT | Safe Torque Off – Input 1 | I |
| T2 | STO RETURN | Safe Torque Off Return | STORET |
| T3 | STO-2 INPUT | Safe Torque Off – Input 2 | I |
| T4 | LOGIC PWR | Logic Supply Input (10 – 55VDC) (optional) | I |
| T5 | HV | DC Supply Input (10-55VDC). Minimum 500µF external capacitance required between HV and POWER GND. | I |
| T6 | HV | | I |
| T7 | HV | | I |
| T8 | HV | | I |
| T9 | HV | | I |
| T10 | MOTOR C | Motor Phase C. All provided motor phase output pins must be used. | O |
| T11 | MOTOR C | | O |
| T12 | MOTOR C | | O |
| T13 | MOTOR C | | O |
| T14 | POWER GND | Ground. | GND |
| T15 | MOTOR B | Motor Phase B. All provided motor phase output pins must be used. | O |
| T16 | MOTOR B | | O |
| T17 | MOTOR B | | O |
| T18 | MOTOR B | | O |
| T19 | POWER GND | Ground. | GND |
| T20 | POWER GND | | GND |
| T21 | POWER GND | | GND |
| T22 | POWER GND | | GND |
| T23 | MOTOR A | Motor Phase A. All provided motor phase output pins must be used. | O |
| T24 | MOTOR A | | O |
| T25 | MOTOR A | | O |
| T26 | MOTOR A | | O |

Terminal Pin Details

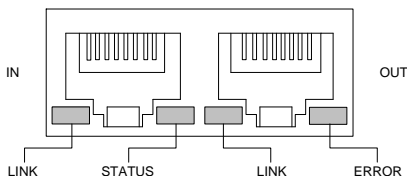
Safe Torque Off (STO) Inputs

The Safe Torque Off (STO) inputs are dedicated +5VDC sinking single-ended inputs. For applications not using STO functionality, disabling of the STO feature is required for proper drive operation. STO may be disabled by following the STO Disable wiring instructions as given in the hardware installation manual. Consult the hardware installation manual for more information.

HARDWARE INFORMATION
LED Functionality

LINK/ACT IN (P1-51); LINK/ACT OUT (P1-52); STATUS (P1-53);

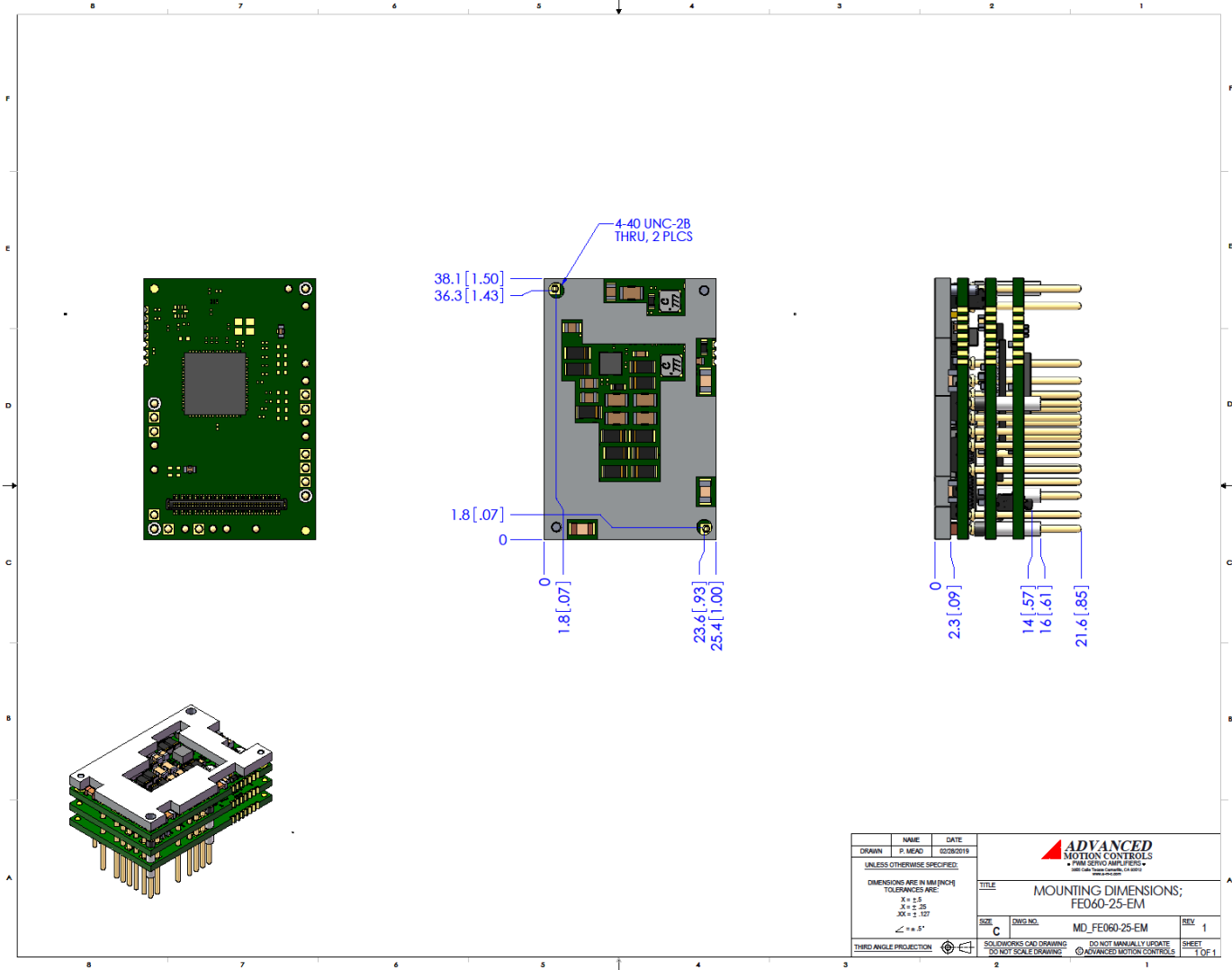
The LINK/ACT IN, LINK/ACT OUT, and STATUS pins serve as EtherCAT network indicators. On a standard RJ-45 connector used with EtherCAT network topology, the typical EtherCAT network indicator LED locations are as shown in the below diagrams. **Note that the drive features signals for connection to LEDs on an RJ-45 connector, but the connector itself is not included on the drive. The Development Card assembly FD060-25-EM features a built-in RJ-45 connector with LEDs for this purpose.**



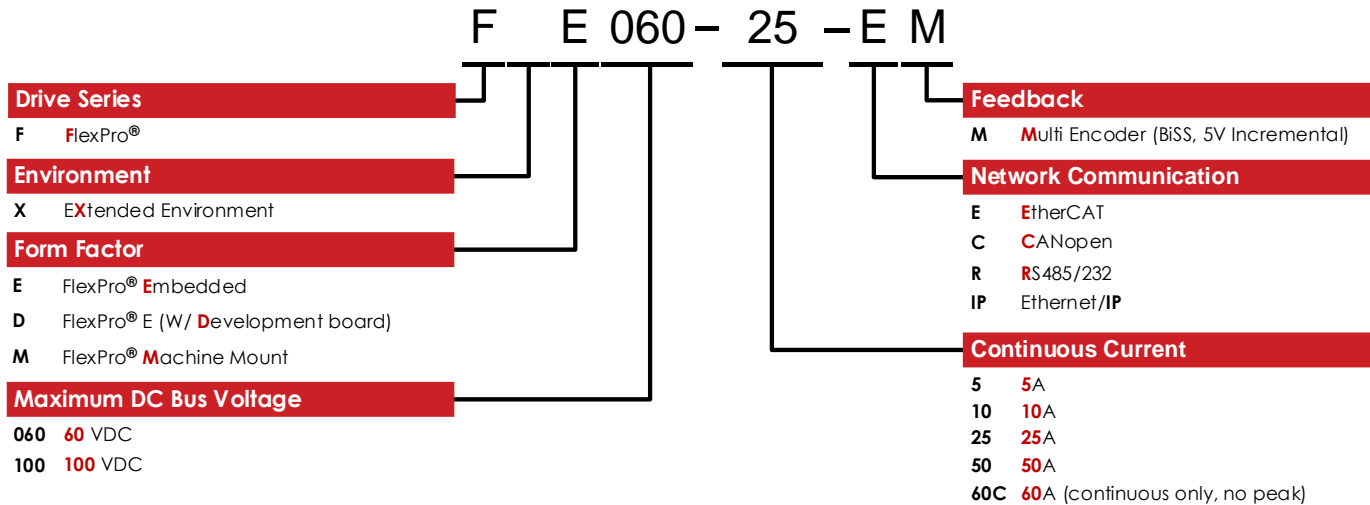
LINK/ACT IN and LINK/ACT OUT are used to drive the corresponding LINK IN and LINK OUT LEDs on a typical RJ-45 connector. The STATUS pin is used to drive the Status LED. The ERROR LED is driven by the I²C Data signals (P1-10/12). Consult the hardware installation manual for recommended wiring connections. The LED Function Protocol tables below describe typical LED functionality.

| LINK/ACT LEDS | | |
|---|---|--|
| LED State | Description | |
| Green – On | Valid Link - No Activity | |
| Green – Flickering | Valid Link - Network Activity | |
| Off | Invalid Link | |
| STATUS LED | | |
| LED State | Description | |
| Green – On | The device is in the state OPERATIONAL | |
| Green – Blinking (2.5Hz – 200ms on and 200ms off) | The device is in the state PRE-OPERATIONAL | |
| Green – Single Flash (200ms flash followed by 1000ms off) | The device is in state SAFE-OPERATIONAL | |
| Green – Flickering (10Hz – 50ms on and 50ms off) | The device is booting and has not yet entered the INIT state, or The device is in state BOOTSTRAP, or Firmware download operation in progress | |
| Off | The device is in state INIT | |
| ERROR LED | | |
| LED State | Description | Example |
| Red – On | A PDI Watchdog timeout has occurred. | Application controller is not responding anymore. |
| Red – Blinking (2.5Hz – 200ms on and 200ms off) | General Configuration Error. | State change commanded by master is impossible due to register or object settings. |
| Red – Flickering (10Hz – 50ms on and 50ms off) | Bootling Error was detected. INIT state reached, but parameter "Change" in the AL status register is set to 0x01:change/error | Checksum Error in Flash Memory. |
| Red – Single Flash (200ms flash followed by 1000ms off) | The slave device application has changed the EtherCAT state autonomously: Parameter "Change" in the AL status register is set to 0x01:change/error. | Synchronization error; device enters SAFE-OPERATIONAL automatically |
| Red – Double Flash (Two 200ms flashes separated by 200ms off, followed by 1000ms off) | An application Watchdog timeout has occurred. | Sync Manager Watchdog timeout. |

MOUNTING DIMENSIONS



PART NUMBERING AND CUSTOMIZATION INFORMATION



ADVANCED Motion Controls also has the capability to promptly develop and deliver specified products for OEMs with volume requests. Our Applications and Engineering Departments will work closely with your design team through all stages of development in order to provide the best servo drive solution for your system. Equipped with on-site manufacturing for quick-turn customs capabilities, ADVANCED Motion Controls utilizes our years of engineering and manufacturing expertise to decrease your costs and time-to-market while increasing system quality and reliability.

Examples of Customized Products

- | | |
|--|--|
| <ul style="list-style-type: none"> ▲ Optimized Footprint ▲ Private Label Software ▲ OEM Specified Connectors ▲ No Outer Case ▲ Increased Current Resolution ▲ Increased Temperature Range ▲ Custom Control Interface ▲ Integrated System I/O | <ul style="list-style-type: none"> ▲ Tailored Project File ▲ Silkscreen Branding ▲ Optimized Base Plate ▲ Increased Current Limits ▲ Increased Voltage Range ▲ Conformal Coating ▲ Multi-Axis Configurations ▲ Reduced Profile Size and Weight |
|--|--|

Feel free to contact us for further information and details!

Available Accessories

ADVANCED Motion Controls offers a variety of accessories designed to facilitate drive integration into a servo system. Visit www.a-m-c.com to see which accessories will assist with your application design and implementation.

Development Board

The FE060-25-EM is offered in a pre-soldered development board assembly to provide easy connections to motor, power, and signal functions. The development board assembly can be ordered as model number **FD060-25-EM**.



All specifications in this document are subject to change without written notice. Actual product may differ from pictures provided in this document.